

Straight Blade Devices
 20A, 125V, 2 Pole, 3 Wire Grounding
 Commercial Specification Grade Duplex
 Receptacles

HUBBELL



Features

- Easy access split circuit tab
- Fork terminal capable
- Smooth face
- Triple wipe contacts

Ordering Information

| Description | Device Color | UPC | Catalog Number |
|------------------------------|--------------|--------------|----------------|
| Smooth face, side wired only | Brown | 783585900100 | CR20 |

Listings

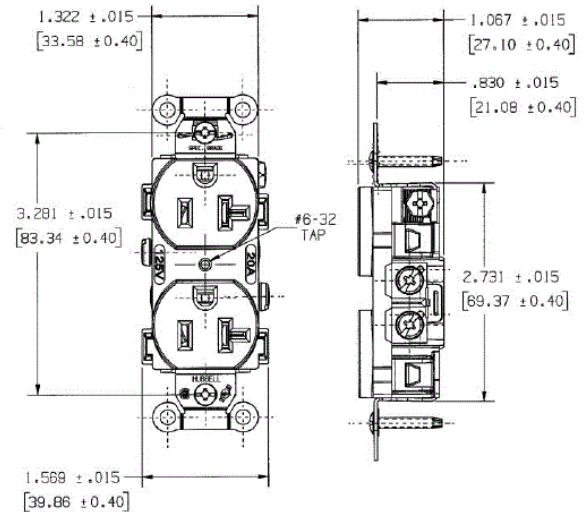
UL Listed to UL498 File No. E2186
 Certified to CSA, C22.2, No. 42
 Fed. Spec. W-C-596
 NEMA® WD-6 Compliant

Specifications

| | |
|---------------------------------|-------------------------------|
| Face | Nylon |
| Base | Nylon |
| Power Contacts | .030 in. (.8) Brass |
| Mounting Strap | .040 in. (1) Galvanized steel |
| Terminal Screws | Plated steel |
| Automatic Self-grounding Staple | Stainless steel |
| Mounting Screws | Galvanized steel |

Performance

| | |
|-------------------------|--|
| Electrical | |
| Current Interrupting | Certified for current interrupting at full rated current |
| Dielectric Voltage | Withstands 2,000V minimum |
| Mechanical | |
| Product Identification | Ratings are a permanent part of the device |
| Terminal Accommodation | #12-#10 AWG copper stranded or solid conductor only |
| Terminal Identification | Terminals identified in accordance with UL 498 and CSA |
| Environmental | |
| Flammability | UL 94 V-2 |
| Operating Temperatures | Maximum continuous 75°C; minimum -40°C (w/o impact) |



Accessories

Wallplate or Weatherproof Cover Duplex Opening

Resources

Customer Use Drawing
 eCatalog

Dimensions in Inches (mm)

Hubbell Wiring Device-Kellems • Hubbell Incorporated (Delaware) • 40 Waterview Drive • Shelton, CT 06484

Phone (800) 288-6000 • Fax (800) 255-1031 • Specifications subject to change without notice.

