

Straight Blade Devices
 20A, 125V, 2 Pole, 3 Wire Grounding
 HBL® Extra Heavy Duty Specification
 Grade Single Receptacle

HUBBELL



Features

- One-piece brass integral ground strap
- Unique bypass contact design

Ordering Information

Description	Device Color	UPC	Catalog Number
Back and side wired	Brown	783585013909	HBL5361

Listings

UL Listed to UL498 File No. E2186
 Certified to CSA 22.2, No. 42 File 285
 Fed. Spec. W-C-596
 NEMA® WD-6 Compliant

Specifications

Face	Nylon
Base	PBT
Power Contacts	.037 in. (.9) Brass
Ground Contact	Brass
Mounting Strap	.050" (1.3) Brass
Auto Self-grounding Clip	Stainless steel
Mounting Screws	Zinc plated steel

Performance

Electrical

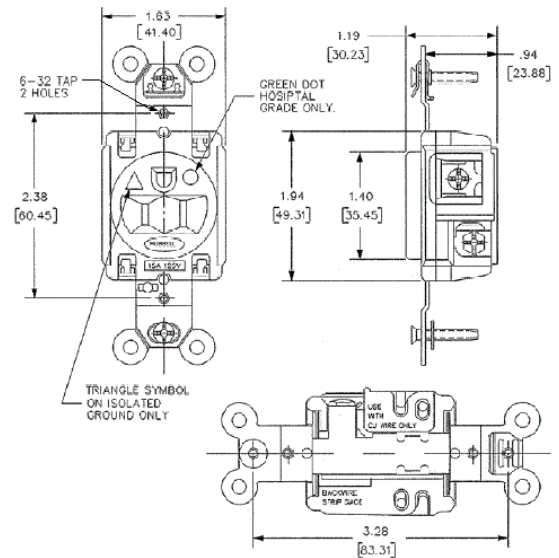
Current Interrupting	Certified for current interrupting at full rated current
Dielectric Voltage	Withstands 2,000V minimum

Mechanical

Product Identification	Ratings are a permanent part of the device
Terminal Accommodation	#12-#10 AWG copper stranded or solid conductor only
Terminal Identification	Terminals identified in accordance with UL 498 and CSA

Environmental

Flammability	Top: UL 94V-2, Base: UL 94V-0
Operating Temperatures	Maximum continuous 75°C; minimum -40°C (w/o impact)



Accessories

Wallplate or Weatherproof Cover 1.40" Opening

Resources

Customer Use Drawing
 eCatalog

Dimensions in Inches (mm)

Hubbell Wiring Device-Kellems • Hubbell Incorporated (Delaware) • 40 Waterview Drive • Shelton, CT 06484

Phone (800) 288-6000 • Fax (800) 255-1031 • Specifications subject to change without notice.

