

# 3-Door Rear Access Industrial RE-BOX®

## *Effortless, All-Access Install*

Hubbell's innovative 3-Door Industrial RE-BOX® cabinets offer unprecedented rear access to network equipment. The patented 3-door design allows the cabinet to be opened on three sides. Inside, equipment is mounted on 18-inch deep rails that are supported by high industrial strength slides. Open the side doors and slide the mounted equipment out of the cabinet for access from any angle. Plus, a perforated rear panel allows for convenient mounting of equipment and cable management accessories.

Industry first mounting bracket is included with all 3-door cabinets, simplifying wall mount installation. The sturdy mounting bracket supports the weight of the cabinet to ease installation mounting.



Equipment slides out on  
industrial strength brackets  
for easy access

### FEATURES

- Weight rating: 150 pounds
- Equipment maximum depth: 21.5 inches
- 17U and 26U capacities, #12-24 threaded
- Rails extend 13 inches
- Perforated rear panel for mounting cable management and equipment
- Installation bracket mounts to wall first to ease mounting
- All doors have locking three-point latches to secure and seal

### SPECIFICATIONS

- UL 1863 Listed, EIA-310-E Compliant
- Designed to meet NEMA 4/12 and 4X
- Tamper-Resistant per GR-CORE-63



# 3-Door Rear Access Industrial RE-BOX®

**HUBBELL®**  
Premise Wiring

## Industrial RE-BOX® with 3-Door Rear Access

Includes: cabinet, perforated rear panel, slide out mounting rail, three doors with key locked twist handles

RU	Height	Width	Depth	Material	NEMA	Catalog No.
19	35.5"	23.9"	30.9"	Steel	4/12	<b>IR323PG3</b>
19	35.5"	23.9"	30.9"	Stainless Steel	4X	<b>IR323PS3</b>
26	47.8"	23.9"	30.9"	Steel	4/12	<b>IR423PG3</b>
26	47.8"	23.9"	30.9"	Stainless Steel	4X	<b>IR423PS3</b>



## Universal Accessories

Description	Catalog No.
14" deep cantilevered shelf	<b>MCCCS19</b>
14" deep cantilevered shelf, perforated	<b>MCCCS19P</b>
11" perforated shelf	<b>HSC11P</b>

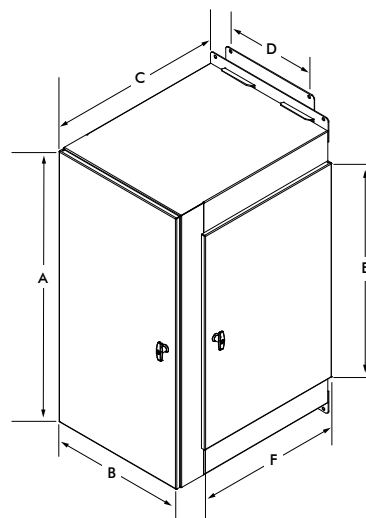


## Cable Management Accessories

Description	Catalog No.
1RU horizontal cable manager, 3" deep	<b>HS13C</b>
2RU horizontal cable manager, 3" deep	<b>HS23C</b>
1RU plastic horizontal cable manager, 3" deep	<b>HSD13</b>
2RU plastic horizontal cable manager, 3" deep	<b>HSD23</b>
Screw mount VELCRO® fasteners, 10-pack of 9" straps	<b>MCCMV9BS10</b>



## Dimensions



	IR323xx	IR423xx
A	35.5"	47.8"
B	23.9"	23.9"
C	30.9"	30.9"
D	16"	16"
E	25.5"	37.8"
F	23.7"	23.7"

VELCRO® is a registered trademark of Velcro Industries B.V.

**HUBBELL®**  
Premise Wiring

[hubbell.com/hubbellpremisewiring/en](http://hubbell.com/hubbellpremisewiring/en)



Hubbell Premise Wiring • Hubbell Incorporated (Delaware) • 23 Clara Drive • Suite 103 • Mystic, CT 06355 • Phone (800) 626-0005 • FAX (860) 535-8328  
Printed in U.S.A. Specifications subject to change without notice.

® is a registered trademark of Hubbell Incorporated.

PLSSM007 1/19